



16573891  
Edition 3  
August 2008

# Random Orbital Sander

4151 and 4152

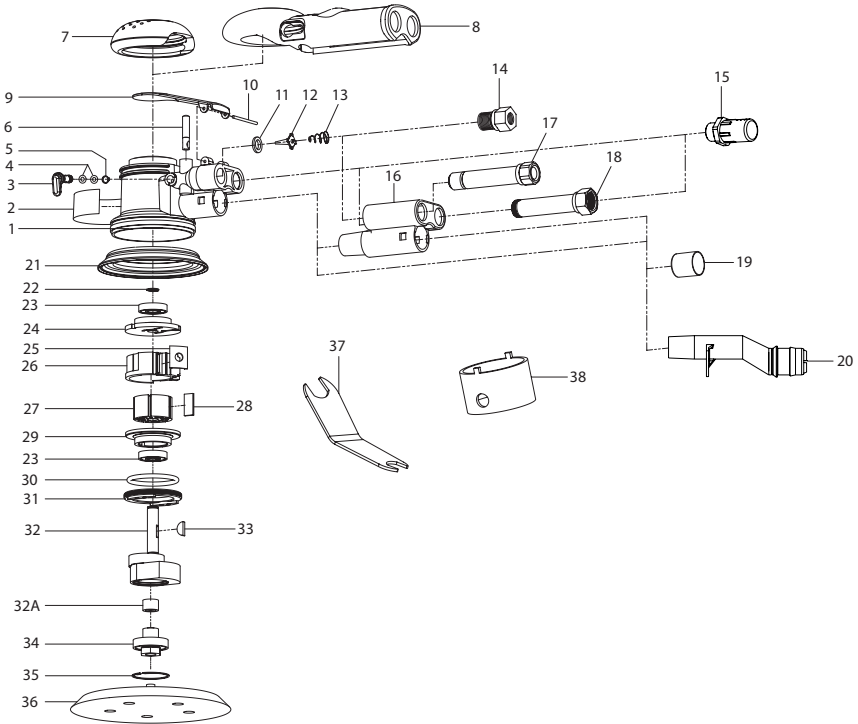
---

## Parts Information



Save These Instructions

# 4151 and 4152 Random Orbital Sander Exploded Diagram



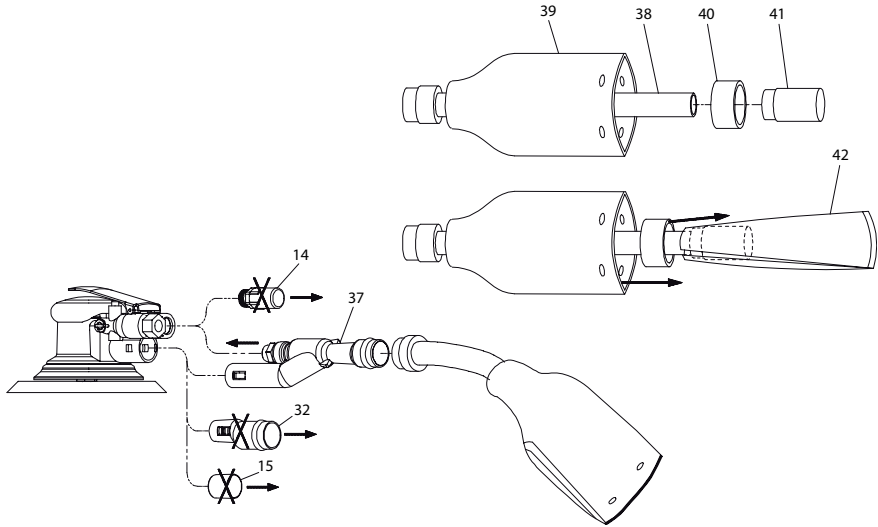
(Dwg. TPA1659-6)

## 4151 and 4152 Random Orbital Sander Parts List

| Item | Part Description           | Part Number   | Item | Part Description              | Part Number |
|------|----------------------------|---------------|------|-------------------------------|-------------|
| 1    | Housing Assembly           | 04700753      | 21   | Shroud                        |             |
| 2    | Label                      |               |      | Black                         | 04648887    |
|      | 4151                       | 04648663      |      | Red                           | 4151-727    |
|      | 4151-2                     | 89947766      | 22   | Snap Ring                     | 04648762    |
|      | 4152                       | 4152-301      | 23   | Ball Bearing                  | 04648812    |
|      | 4151-5                     | 4151-5-301    | 24   | Rear End Plate                | 04648945    |
|      | 3M-4151G-LP                | 3M-4151G-301  | 25   | Cylinder Seal                 | 04649042    |
|      | 3M-4151-LP                 | 3M-4151-301   | 26   | Cylinder Assembly             | 04649976    |
| 3    | Regulator Assembly         | 4151-A165     | 27   | Rotor                         | 04648820    |
| 4    | O-Ring                     | 4151-65       | 28   | Vane Pack (set of 5)          | 48254-42-5  |
| 5    | Snap Ring                  | 4151-797      | 29   | Front End Plate               | 04648929    |
| 6    | Valve Stem                 | 04648770      | 30   | O-Ring                        | 04649133    |
| 7    | Grip Ring                  | 4151-747B     | 31   | Lock Ring                     | 04648853    |
| 8    | Grip Ring                  |               | 32   | Counterbalance Assembly       |             |
|      | 4151-2                     | 4151-2-747BLK |      | 4151 Series (3/16")           | 04653333    |
|      | 3M-4151G-LP                | 3M-4151G-747  |      | 4152 Series (3/32")           | 89941470    |
|      | 3M-4151-LP                 | 3M-4151-747   |      | 4151-5                        | 49797       |
| 9    | Lever                      | 04655478      | 32A  | Needle Bearing                | 04649000    |
| 10   | Spring Pin                 | 04649117      | 33   | Key                           | 04648754    |
| 11   | Valve Seat                 | 04648804      | 34   | Spindle Assembly              | 04649984    |
| 12   | Tip Valve                  | 04648796      | 35   | Retaining Ring                | 04649091    |
| 13   | Spring                     | 04648747      | 36   | Sanding Pad                   |             |
| 14   | Inlet Adapter              | 04649083      |      | 6" Pad - Vacuum Ready (Vinyl) | VPAD-6      |
| 15   | Muffler Assembly           | 4151-A810     |      | 5" Pad - Vacuum Ready (Vinyl) | 49096-1     |
| 16   | Extension (4151-2)         | 4151-2-307    |      | 6" Pad - Vacuum Ready (H & L) | VPAD-6HL    |
| 17   | Inlet Bushing (4151-2)     | 4151-2-565    | 37   | Pad Wrench                    | 04648739    |
| 18   | Exhaust Bushing (4151-2)   | 4151-2-566    | *38  | Motor Wrench                  | 48869       |
| 19   | Port Plug                  | 04649059      |      |                               |             |
| 20   | Vacuum Adapter (cuff size) |               |      |                               |             |
|      | 25 mm (1")                 | 4151-A809A-25 |      |                               |             |
|      | 28 mm (1-1/8")             | 4151-A809A-28 |      |                               |             |
|      | 32 mm (1-1/4")             | 4151-A809A-32 |      |                               |             |

\* Not included with tool.

## 4151 and 4152 Random Orbital Sander Exploded Diagram



(Dwg. TPC675-2)

### 4151 and 4152 Random Orbital Sander Parts List

| Item | Part Description | Part Number | Item | Part Description      | Part Number |
|------|------------------|-------------|------|-----------------------|-------------|
| 37   | Eductor Assembly | 49976       | 41   | Bag Adapter           | 49979       |
| 38   | Hose             | 49982       | 42   | Disposable Bags (20)  | 49988       |
| 39   | Cloth Cover Bag  | 49997       | 43   | Disposable Bags (250) | 49987       |
| 40   | Collar           | 49986       |      |                       |             |

### Parts and Maintenance

When the life of the tool has expired, it is recommended that the tool be disassembled, degreased and parts be separated by material so that they can be recycled.

Tool repair and maintenance should only be carried out by an authorized Service Center.

Refer all communications to the nearest **Ingersoll Rand** Office or Distributor.

### Related Documentation

For additional information refer to:

Product Safety Information Manual 04580387.

Product Information Manual 04576005.

Manuals can be downloaded from [www.irtools.com](http://www.irtools.com).

---

**Notes:**

**Notes:**

---

---

**Notes:**

[www.irttools.com](http://www.irttools.com)

© 2008 **Ingersoll Rand** Company

