

Waschanlagen

Languages >  

Pneumatische Teilewaschanlage mit Drehkorb



LA-RO

Beschreibung / Description

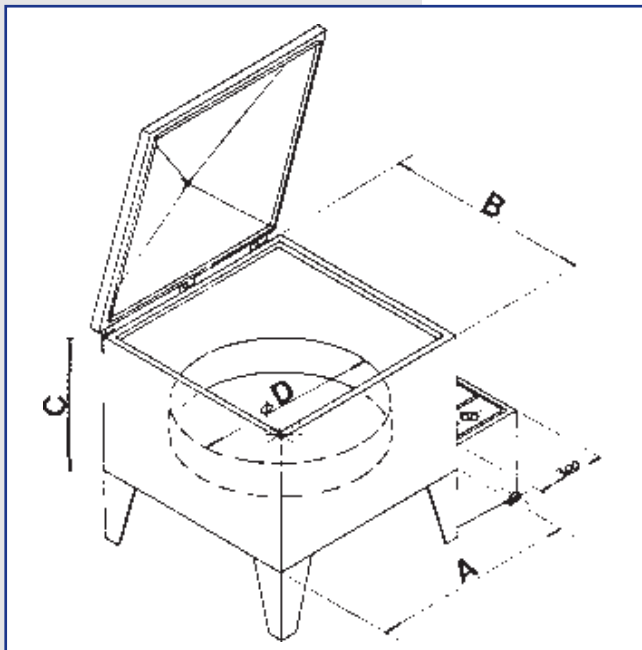
Geeignet für die automatische Spülung von Werkzeugen, Hobbocks und Kleinteilen, verschmutzt mit Öl, Fett und Lackierstoffen. Pneumatischer Betrieb.

Ausführung aus CNS nach DIN 1.4301.

Doppelmembranluftpumpe, die das Lösemittel aus dem Behälter saugt und es unter Druck mittels Düsen zum Becken liefert. Die Düsen, dank ihrer Anordnung, erlauben die Korbdrehung und dadurch eine wirksame Reinigung der zu waschenden Teile. Mikro-Sicherheitsdruckluftschalter.

WASHING UNIT LA-RO with turning basket Suitable for automatic washing of tools, cans and small-sized pieces, dirty with oil, grease and painting products. Pneumatic functioning. Manufactured in AISI 304 stainless steel. Diaphragm pneumatic pump, which sucks the solvent from the tank and delivers it under pressure into the basin by means of nozzles, which thanks to their location assure the basket rotation and therefore a more effective cleaning of the pieces to be washed. Pneumatic safety micro-switch.

Abmessungen / Dimensions



	LA-RO 350	LA-RO 600	LA-RO 800
A	470	700	900
B	470	700	900
C	730	600	600
D	350	600	800

* Änderungen und Irrtümer vorbehalten, alle Preise zzgl. Verpackung und Mwst.

Washer

Languages > 

Pneumatic Part Washing Unit With Turning Basket



LA-RO

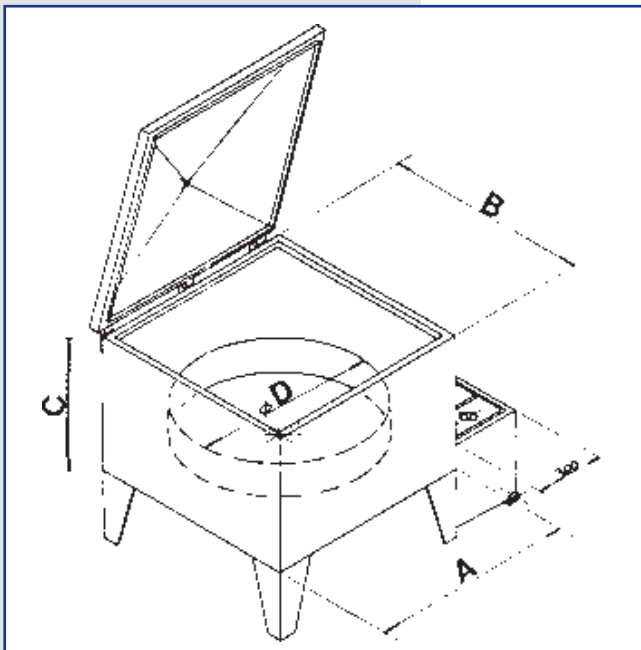
Product Description

The Washing Unit La-Ro is suitable for the automatic washing of tools, cans and small sized pieces, dirtied with oil, grease and painting products. The device has a pneumatic operation and is manufactured acc. to AISI 304 Stainless Steel.

The double diaphragm pump sucks the solvent from the tank and delivers it under pressure to the basin through nozzles which thanks to their location assures the basket rotation and therefore a more effective cleaning of the pieces to be washed.

The unit is equipped with a pneumatic safety micro-switch.

Dimensions



	LA-RO 350	LA-RO 600	LA-RO 800
A	470	700	900
B	470	700	900
C	730	600	600
D	350	600	800

* Changes and mistakes excepted, prices plus packing and VAT.