



## Air motors

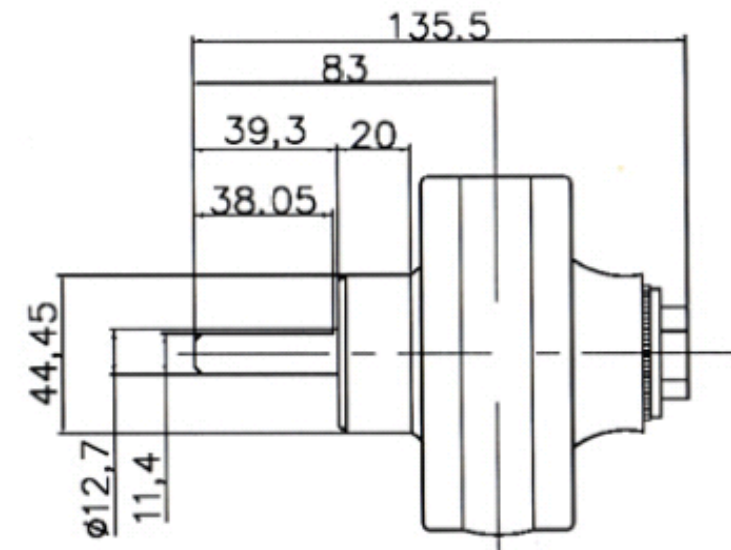
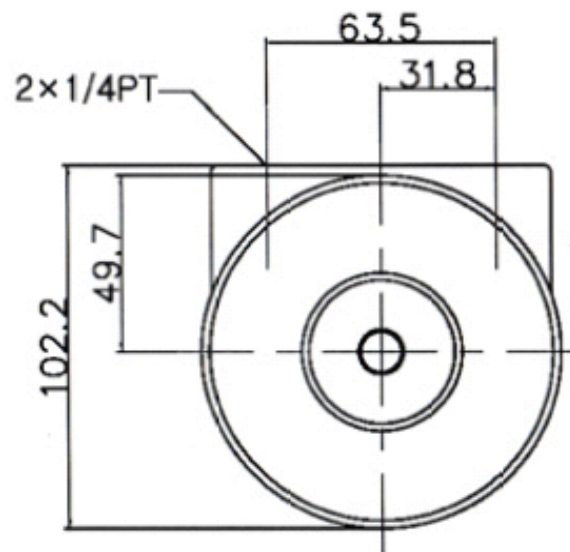
### V2-F - Dimensions - Item No. 205300160002

# V2-F

4VANES AIR MOTORS

FACE Mounting, POWER:0.93HP(0.70KW),

Torque:2.2Nm(0.22Kgf · m), SPEED:3000RPM



\* Changes and mistakes excepted, prices plus packing and VAT.