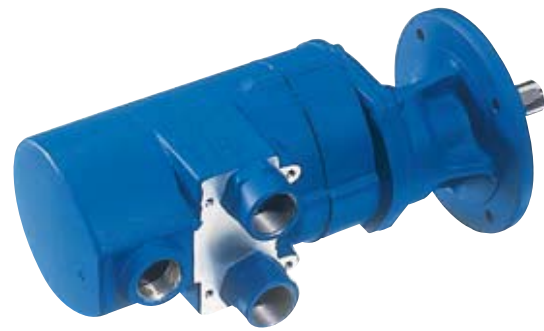


Lamellenmotoren 4,40 kW Umsteuerbar – abwürgefest

ESSKA.de

Web: <http://www.esska.de>
Mail: info@esska.de



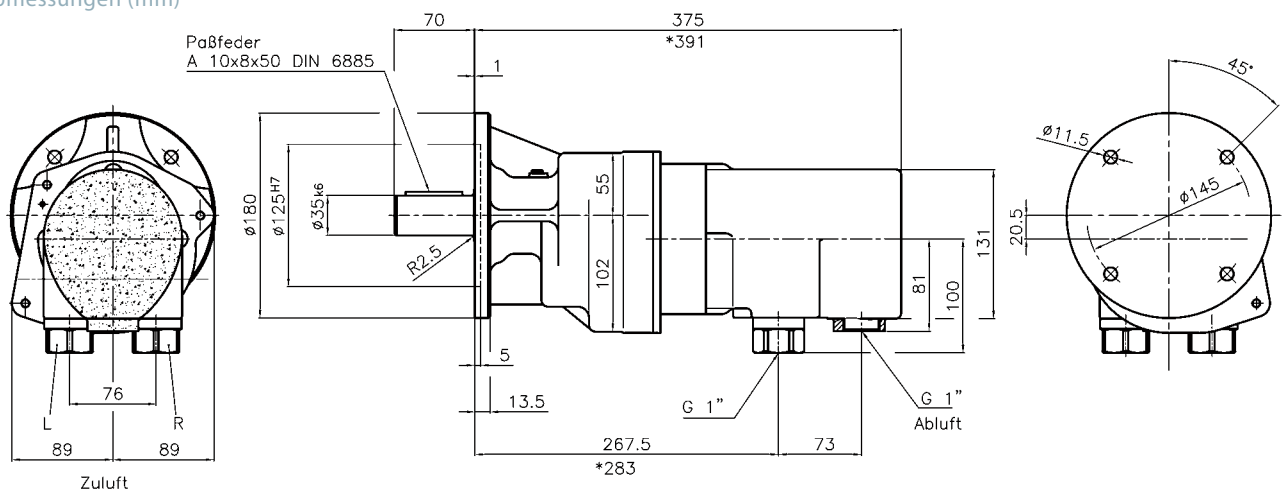
Standardausführung

Technische Daten

bei 6 bar Betriebsdruck

Type		MU 600-750	MU 600-500	MU 600-250	MU 600-75 V*
Bestell-Nr.		46680-05-5	46680-03-5	46680-00-5	29936-40-5
Lastdrehzahl	min ⁻¹	750	500	250	75
Lastdrehmoment	Nm	57,00	85,00	170,00	563,00
Startdrehmoment	Nm	85,50	127,50	255,00	844,50
Drehmoment max.	Nm	114,00	170,00	340,00	1 126,00
Leerlaufdrehzahl	min ⁻¹	1 500	1 000	500	150
Luftverbrauch	m ³ /min	5,00	5,00	5,00	5,00
Gewicht	kg	18,00	18,00	18,00	19,50

Abmessungen (mm)



Air Motor

Languages > 

Air Motor MU600 - 4,40 kW Steel



Air Motor MU600
Item-No.: mu600

Application Area

Compressed air motor for Engine Construction especially used as propulsion motor or agitator motor for example in production facilities (printing machines, textile machines, roboting units).
For Applications that require small dimensions and for Ex-protected areas.

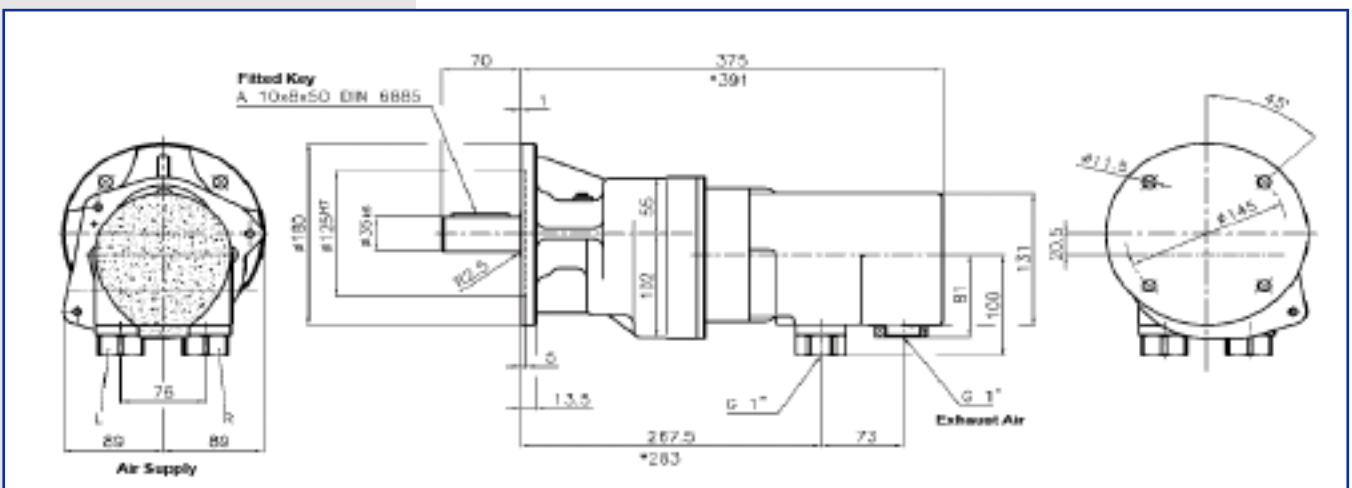
Technical Data

Capacity	4,4 kW
Rotation Diorection	Reversible
Stall Resistant	Yes
Oilfree	No
Brake	Yes
Available in ATEX	Yes
Loading Speed	75 rpm to 2800 rpm
Shaft Load Fr	Max. 3500 N
Shaft Load Fa	Max. 1500 N
Ambient Temperature	-20°C to +100°C
Air Supply	Ø 25 mm
Air Consumption	5,0 m³/min

Technical Data

Loading Speed 1/min	Idle Speed 1/min	Load Torque Nm	Start Torque Nm	Max. Torque Nm	Air Consumption m³/l	Material
75	150	563	844	1126	5,0	Steel
250	550	170	255	340	5,0	Steel
500	1000	85	127,5	170	5,0	Steel
750	1500	57	85,5	114	5,0	Steel
1400	2800	30	45	60	5,0	Steel
2800	5600	22,5	22,5	30	5,0	Steel

Dimension



* Changes and mistakes excepted, prices plus packing and VAT.