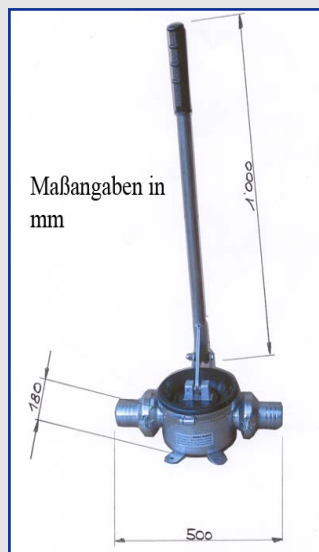


Datenblatt

Manuelle Membranpumpe Baradello



Manuelle Membranpumpe Binda Baradello
Artikelnr.: 251640500000



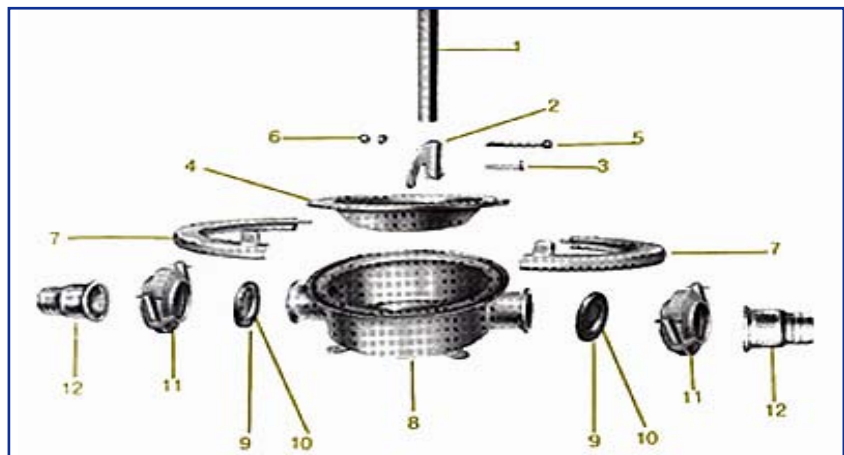
Einsatzbereich

Die Membranpumpe von Binda, eignet sich für alle Flüssigen Medien, die kompatibel mit Neopren und Perbunan Membranen und Ventile sind, z.B. für Wasser, Salzwasser, Laugen, Schmutzwasser, Wasser das Feststoffe in Suspension hält, dichte Flüssigkeiten, flüssige Nahrungsmittel, Heizöl. Verwendung findet Sie in der Önologie, Lebensmittelindustrie, Landwirtschaft und Viehzucht, chemische-, arzneimittel- und Kosmetikindustrie, Haus- und landwirtschaftliche Anwendungen, Werften, Bauwirtschaft, Motoren, Öllieferanten und Tankstationen

Technische Daten

Gehäuse - Edelstahl AISI 304
Schlauchanschluß - Ø 1 1/2"
Material Anschluß - Edelstahl AISI 304
Durchgangsgröße - max. 4 mm (1/1/2") Feststoffe
Membran und Ventile - Neopren oder Perbunan
Fördermenge - 4 Liter pro Hub, max. 100 Liter pro Minute
Lebensdauer Membran und Ventile ca. 300 Arbeitsstunden
Saughöhe und Abgangslänge 4 m

Abmessungen und Zusammenstellung



1. Stange 1x (Stahl)
2. Membranhebel 1x (Rostfreiem Stahl)
3. Hebelsplint 1x (Rostfreiem Stahl)
4. Membran Neopren und Elastomer 1x jeweils
5. Schraube für Klemmring 1x (Rostfreiem Stahl)
6. Mutter Klemmring 2x (Bronze)
7. Klemmring für die Membran 1x (Rostfreiem Stahl)
8. Pumpenkörper 1x (Rostfreiem Stahl)
9. Ventilklappen Neopren und Elastomer (Typ A und Typ B) 2x jeweils
10. Halter für Ventilklappen 2x (Rostfreiem Stahl)
11. Spange 2x (Rostfreiem Stahl)
12. Schlauchtülle Ø 40 mm / 2x (Rostfreiem Stahl)

* Änderungen und Irrtümer vorbehalten, alle Preise zzgl. Verpackung und Mwst.

Data Sheet

Manual Diaphragm Pump Baradello



Manuelle Membranpumpe Binda Baradello
Artikelnr.: 251640500000



Application Area

The Manual diaphragm pump is composed for almost all liquids for which neoprene and perbutan are suitable, including for example, water, salt water, brine, dirty water, water with large solids in suspension (including whole olives and small fishes) dense liquids, cess pits, alimentary liquids including wine, fuel oils. Typical areas for application are fire-brigades and emergency services generally, boats including life-boats, motor vehicle, tractor and air-craft refueling, tank cleaning, cess pits, home wine and beer, gardening and horticulture, liquid cement and liquid transfer generally.

Technical Data

Housing - Stainless Steel AISI 304

Hose connection - Ø 1 1/2"

Connection material - Standard Nylon

Size of Passage - max. 4 mm (1/12") for Solid

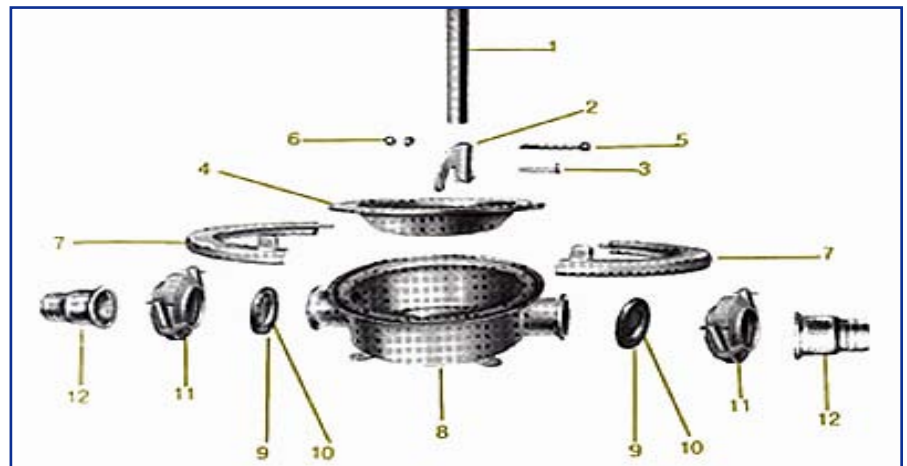
Diaphragm and Valves - Neopren or Perbutan

Capacity - 4 Liter per Strole, max. 100 Liter per minute

Expected diaphragm and valve life - approx. 300 working hours

Inlet and Outlet - 4 m

Measurements and Spare Part List



1. 1x Handle (Galvanized Steel)
2. 1x Lever (Stainless Steel)
3. 1x Lever Pin (Stainless Steel)
4. 1x Seal Diaphragm Neopren and Elastomer each with
5. 1x Studs (Stainless Steel)
6. 2x Nuts (Bronze)
7. 1x Split Clamp Band (Stainless Steel)
8. 1x Pump Body (Stainless Steel)
9. Flapper Valves Neopren (Typ A) and Elastomer (Typ B) 2x each with
10. 2x Valves Seat (Stainless Steel)
11. 2x Heavy Duty Clamps (Stainless Steel)
12. 2 xCouplings Ø 40 mm (Stainless Steel)

* Änderungen und Irrtümer vorbehalten, alle Preise zzgl. Verpackung und Mwst.

Diaphragm Pumps

Languages >



Manual Diaphragm Pump Baradello



Manual Diaphragm Pump Binda Baradello
Item-No.: 251640500000



Maßangaben in
mm
Dimensions

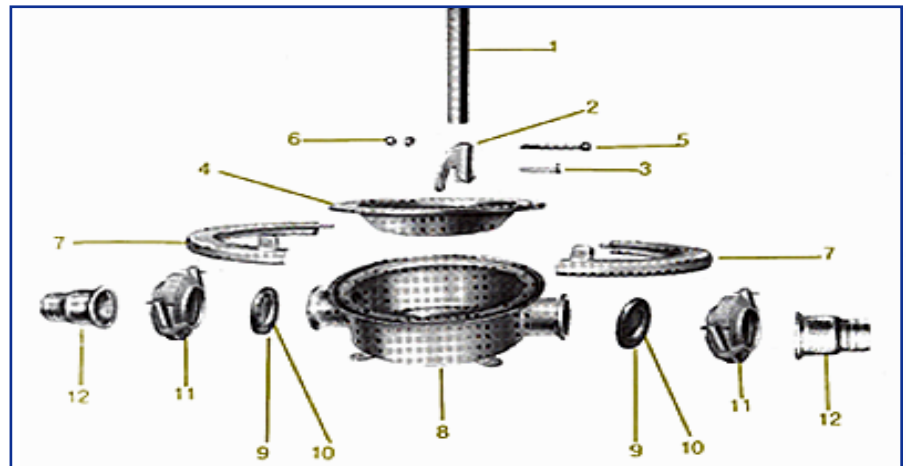
Application Area

The Manual diaphragm pump is composed for almost all liquids for which neoprene and perbunan are suitable, including for example, water, salt water, brine, dirty water, water with large solids in suspension (including whole olives and small fishes) dense liquids, cess pits, alimentary liquids including wine, fuel oils. Typical areas for application are fire-brigades and emergency services generally, boats including life-boats, motor vehicle, tractor and air-craft refueling, tank cleaning, cess pits, home wine and beer, gardening and horticulture, liquid cement and liquid transfer generally.

Technical Data

Stainless Steel AISI 316
Connection Thread - Ø 1 1/2"
Connection Material - Standard Nylon
Size of Passage - max. 4 mm (1/16") for Solid
Diaphragm and Valves - Neopren or Perbunan
Capacity - 4 Liter per Strole, max. 100 Liter per minute
Expected diaphragm and valve life - approx. 300 working hours
Inlet and Outlet - 4 m

Measurements and Spare Part List



1. 1x Handle (Galvanized Steel)
2. 1x Lever (Stainless Steel)
3. 1x Lever Pin (Stainless Steel)
4. 1x Seal Diaphragm Neopren and Elastomer each with
5. 1x Studs (Stainless Steel)
6. 2x Nuts (Bronze)
7. 1x Split Clamp Band (Stainless Steel)
8. 1x Pump Body (Stainless Steel)
9. Flapper Valves Neopren (Typ A) and Elastomer (Typ B) 2x each with
10. 2x Valves Seat (Stainless Steel)
11. 2x Heavy Duty Clamps (Stainless Steel)
12. 2 xCouplings Ø 40 mm and Ø 50 mm (Stainless Steel)

* Changes and mistakes excepted, prices plus packing and VAT.